

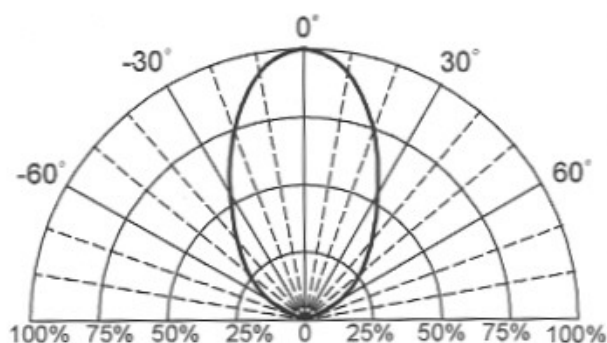
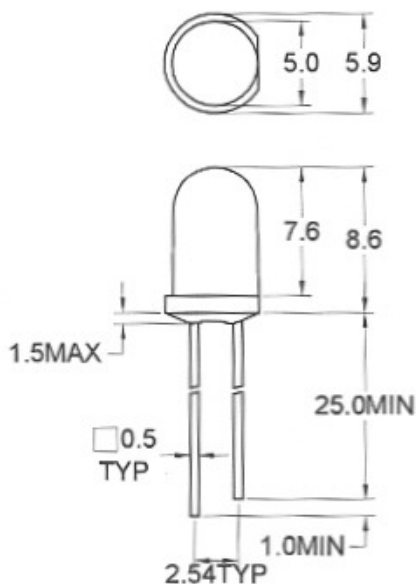


LIGITEK

ROUND TYPE LED LAMPS LX13740 SERIES

Package Dimension

Directivity Radiation



Note: 1. All dimension are in millimeter tolerance is  $\pm 0.25\text{mm}$  unless otherwise noted  
2. Specifications are subject to change without notice

• Part Selection And Application Information (Ratings At 25°C Ambient)

PART NO	MATERIAL	COLOR		Peak wave length $\lambda$ Pnm	Spectral halfwidth $\Delta \lambda$ nm	Forward voltage @20mA(v)		Luminous intensity @10mA(mcd)		Viewing angle $2\theta$ 1/2 (deg)
		Emitted	Lens			Min.	Max.	Min.	Typ.	
LG13740	GaP	Green	Green Diffused	565	30	1.7	2.6	12	20	68
LY13740	GaAsP/GaP	Yellow	Yellow Diffused	585	35	1.7	2.6	8.0	20	68
LI13740	GaAsP/GaP	Orange	Red Diffused	635	45	1.7	2.6	12	20	68

• Absolute Maximun Rating (Ta=25°C)

PARAMETER	RED			GREEN		YELLOW		ORANGE		UNIT	REMARK
				G		Y		I			
Forward Current				30		20			30	mA	
Peak Forward Current Duty 1/10@10KHz				120		80			120	mA	
Power Dissipation				100		60			100	mW	
Reverse Current @5v				10		10			10	$\mu$ A	
Operating Temperature	-40°C TO +85°C										
Storage Temperature	-40°C TO +100°C										

Lead Soldering Temperature 260°C For 5 Seconds(2.0mm From Body)