

## 26 Electromagnetism

### A Radio Circuit:

#### Capacitor:

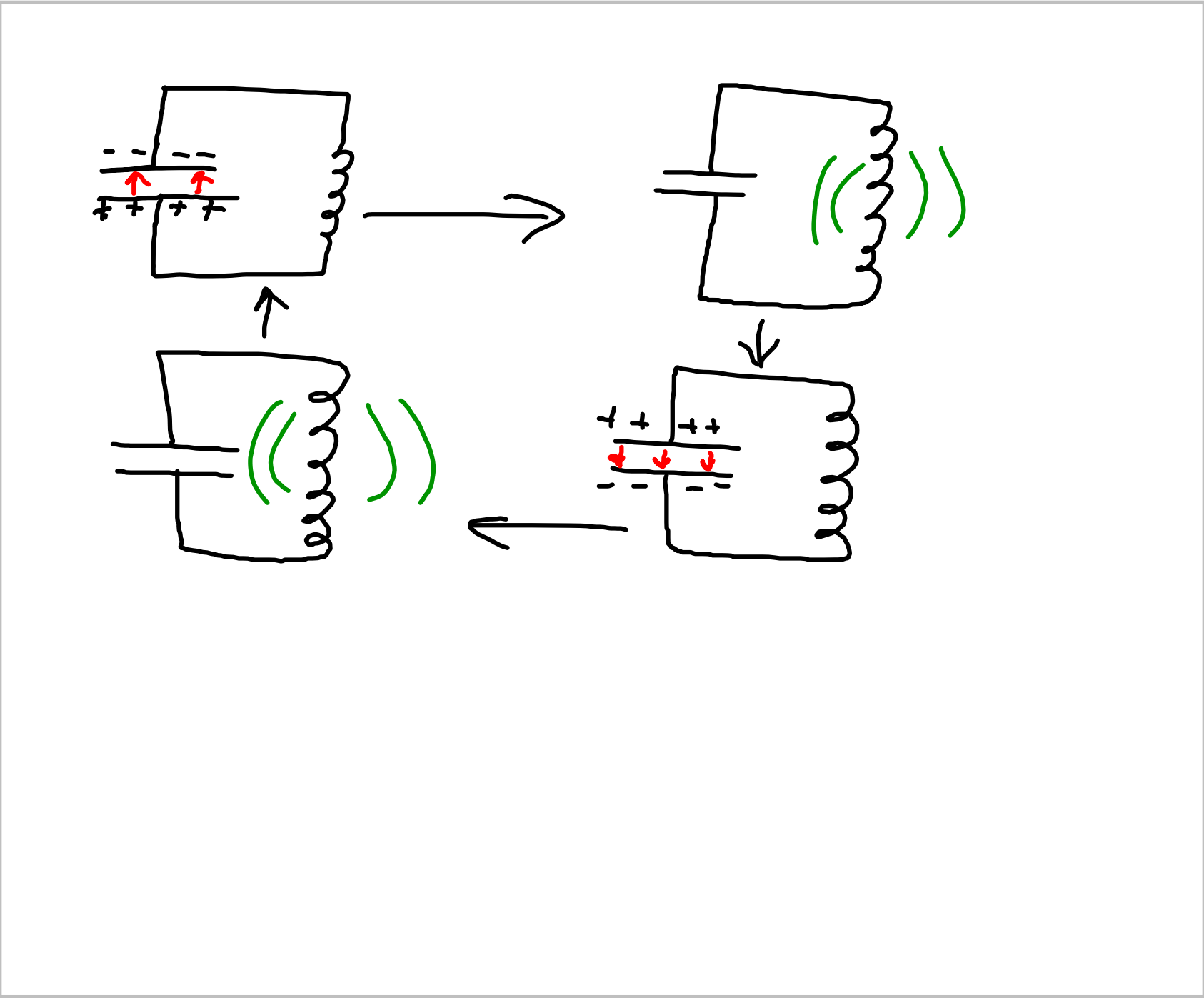
2 conductors separated by an insulator  
(stores energy in its electric field)

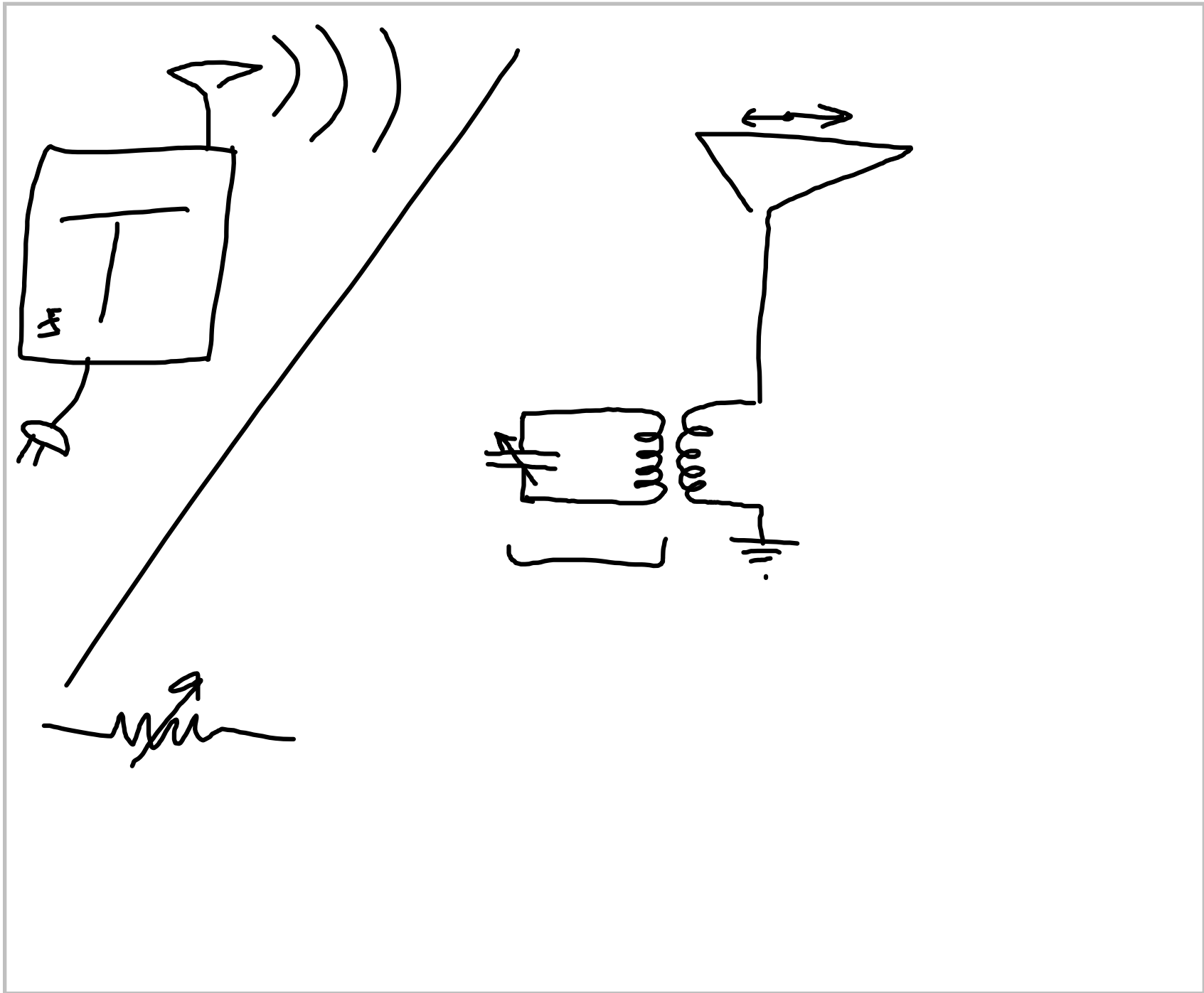
#### Inductor:

Coil of wire  
(stores energy in its magnetic field)

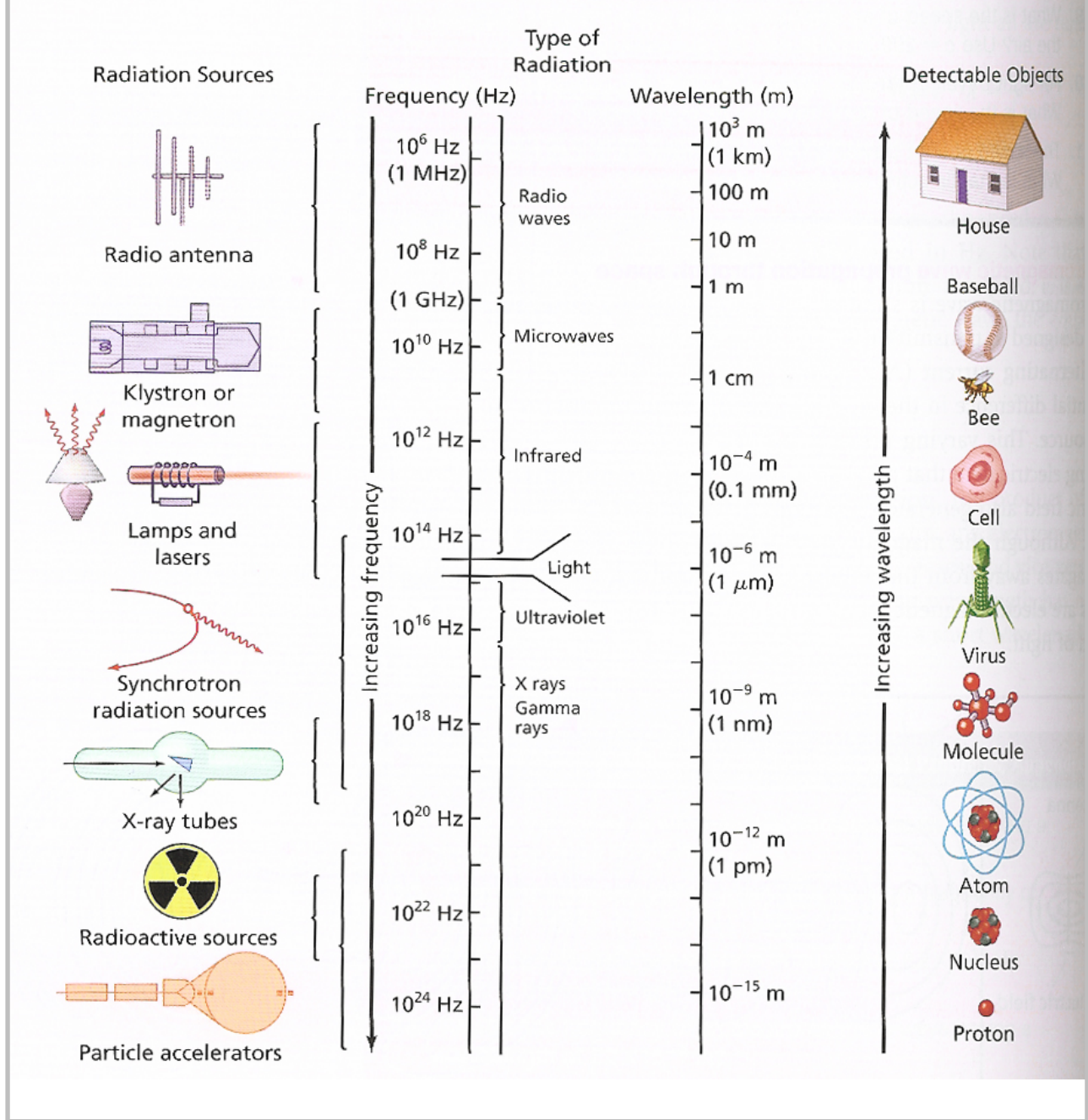
## Resonance –

Transferring energy from one system to another at the same frequency





# The Electromagnetic Spectrum



## **Amplitude Modulation**

<http://cnyack.homestead.com/files/modulation/modam.htm>

## **Frequency Modulation**

<http://cnyack.homestead.com/files/modulation/modfm.htm>